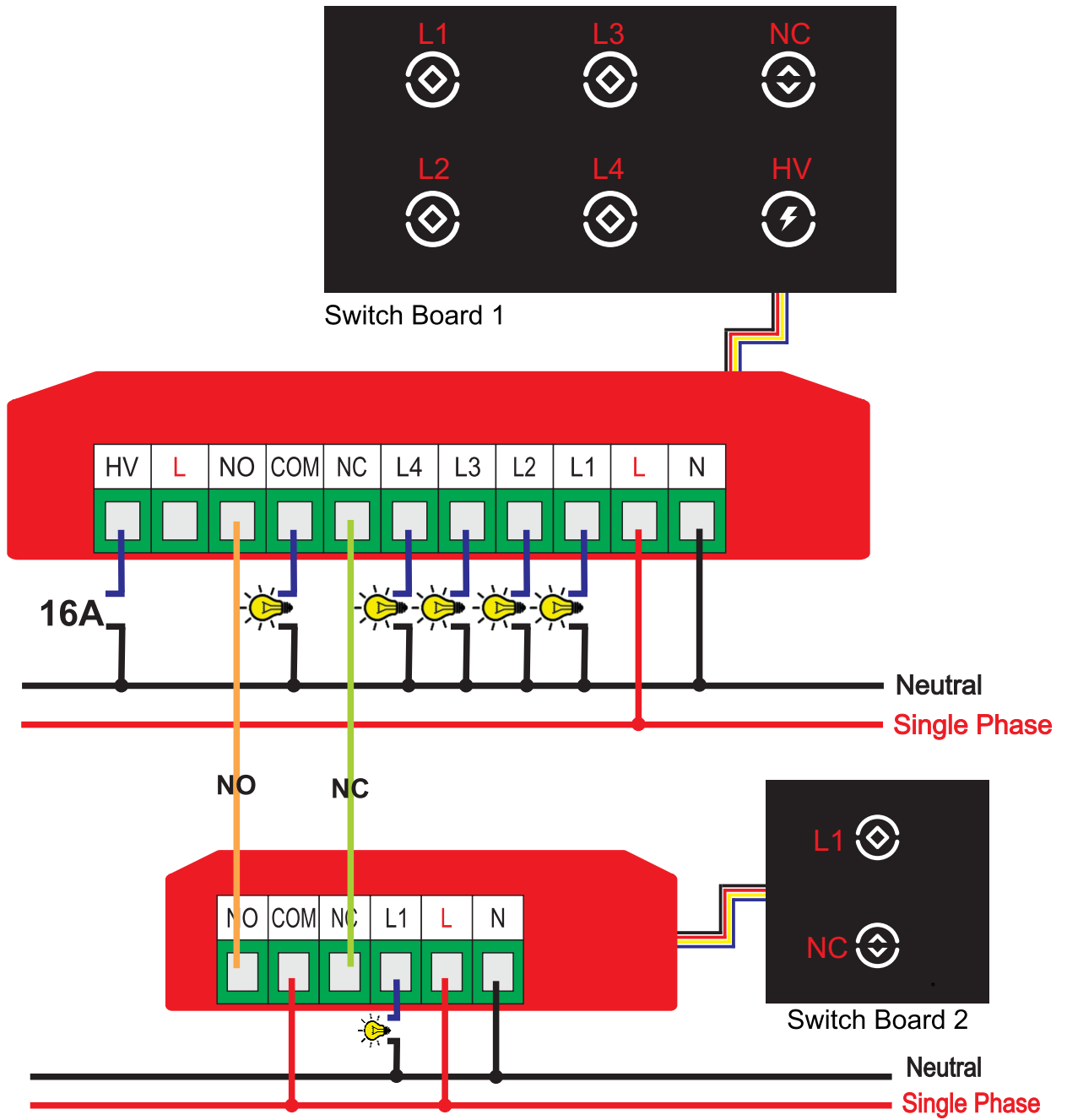


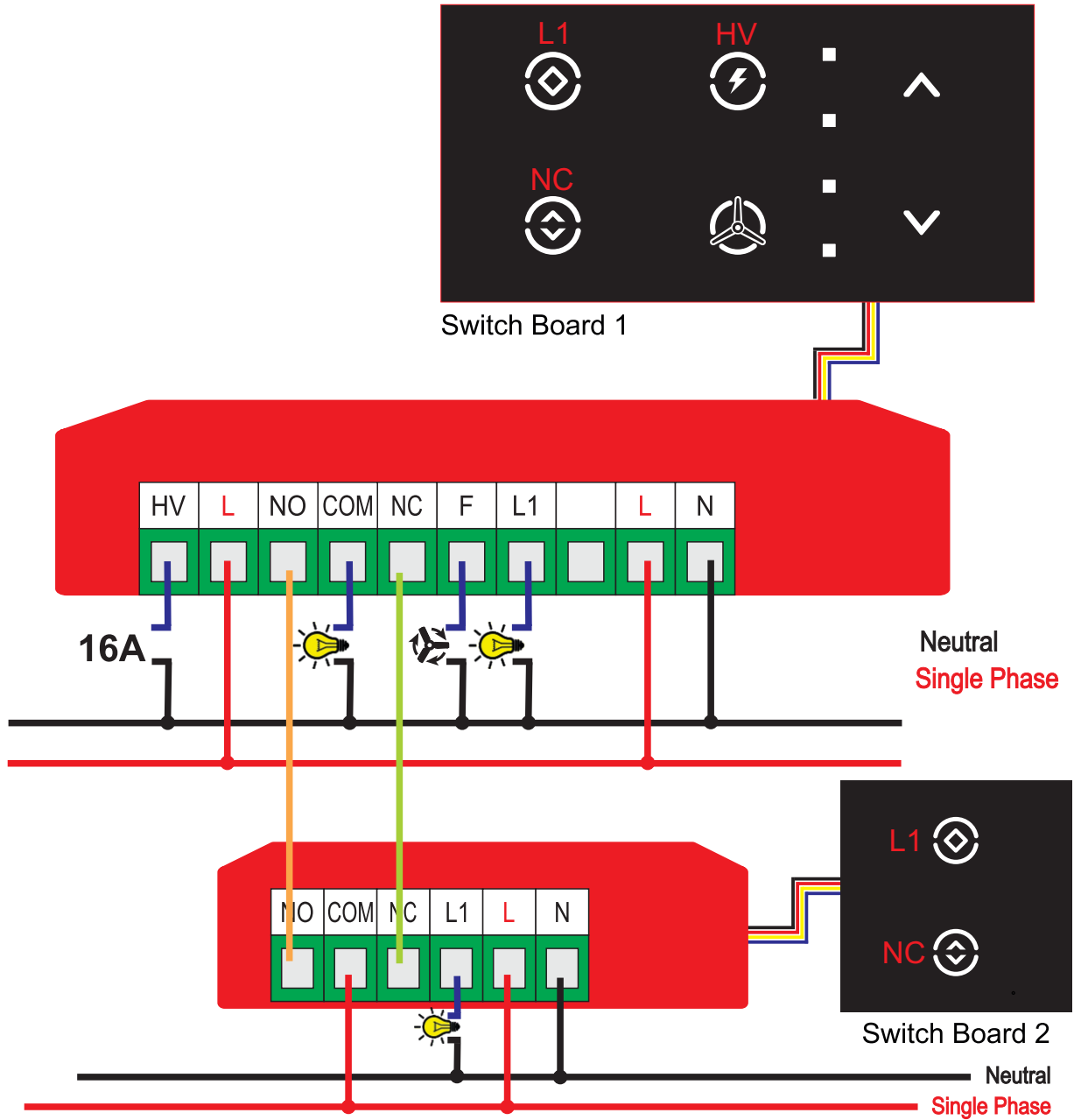
Touch 6 Switch(1 HV 1 2way)



L	Line(Phase)
N	Neutral
L1	Load 1
L2	Load 2
L3	Load 3
L4	Load 4

NC	Normally Close
COM	Common
NO	Normally Open
L	Line(Phase)
HV	16A Load

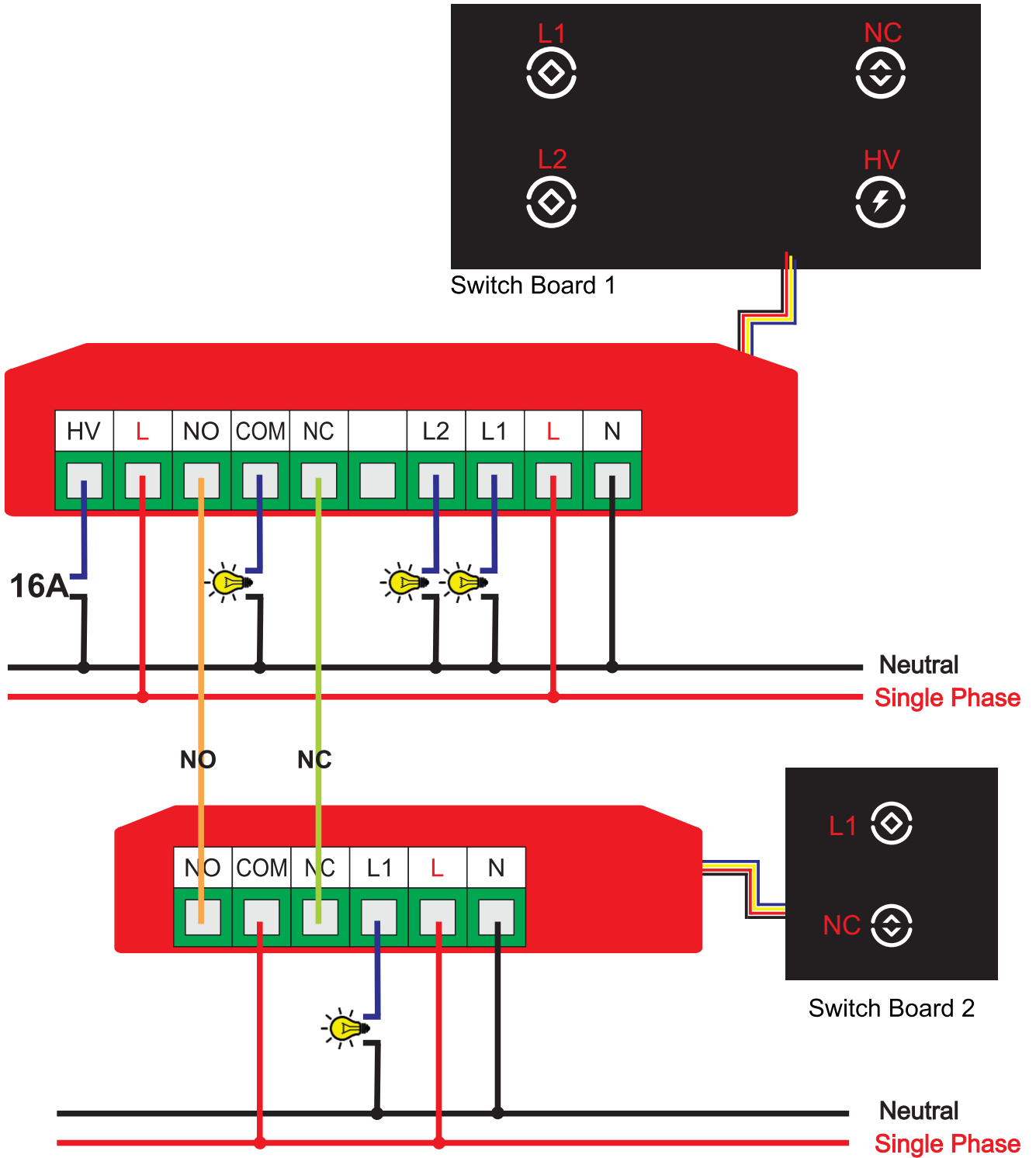
Touch 3Switch(1 HV 1 2way) + 1 Fan



L	Line(Phase)
N	Neutral
L1	Load 1
F	Fan

NC	Normally Close
COM	Common
NO	Normally Open
L	Line(Phase)
HV	16A Load

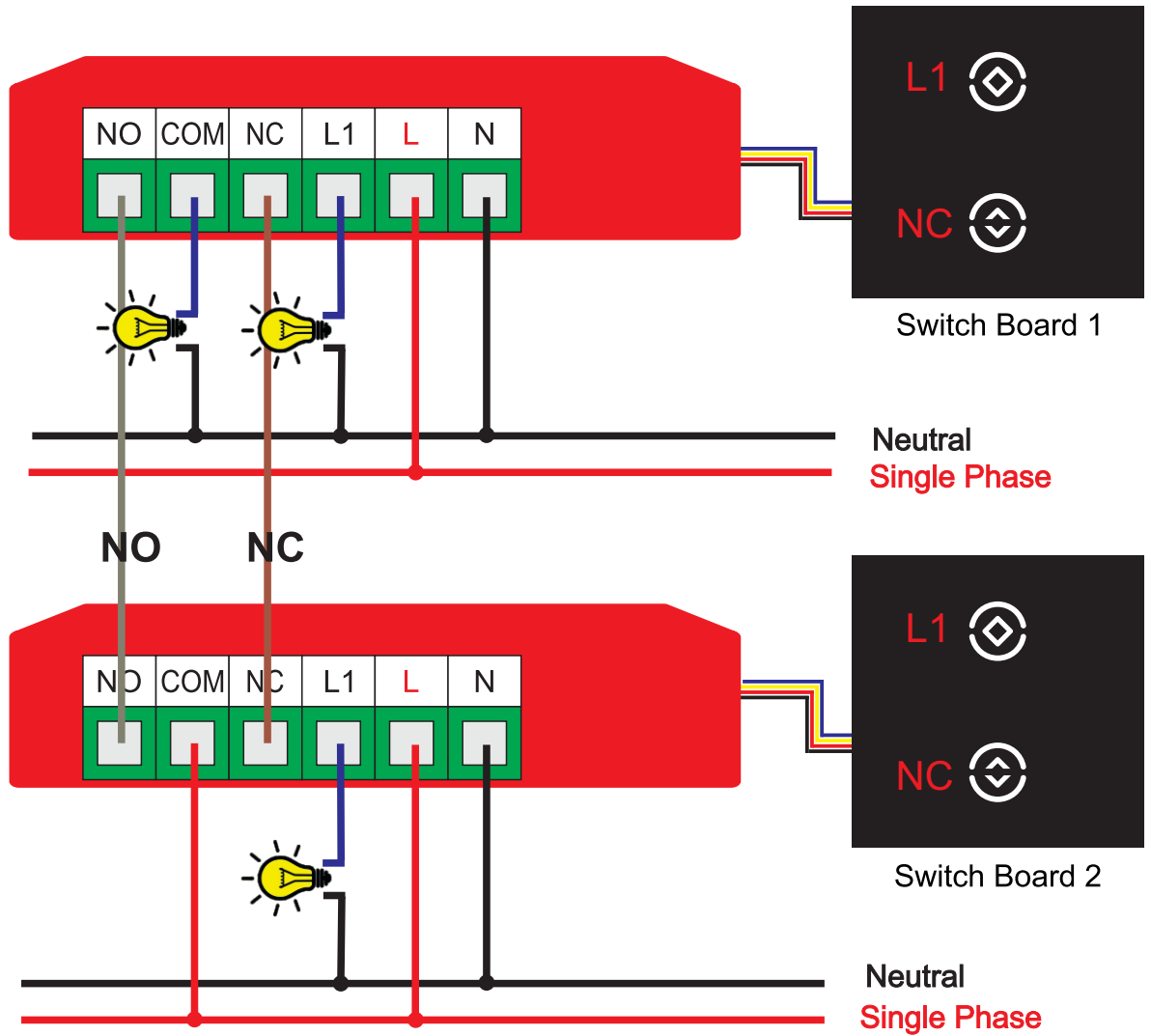
Touch 4 Switch(1 HV 1 2way)



L	Line(Phase)
N	Neutral
L1	Load 1
L2	Load 2

NC	Normally Close
COM	Common
NO	Normally Open
L	Line(Phase)
HV	16A Load

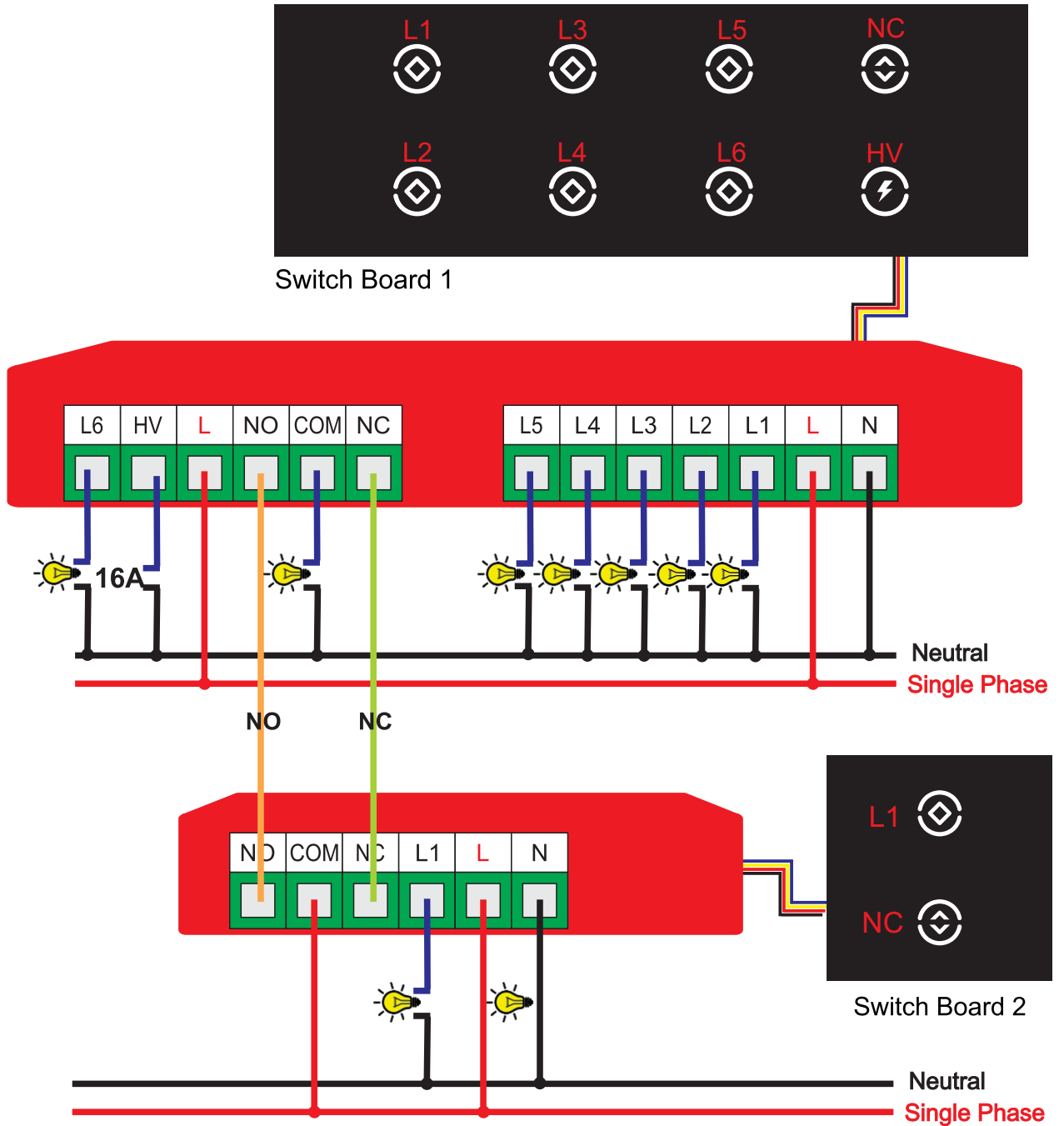
Touch 2Switch(1 2way)



L	Line(Phase)
N	Neutral
L1	Load 1

NC	Normally Close
COM	Common
NO	Normally Open

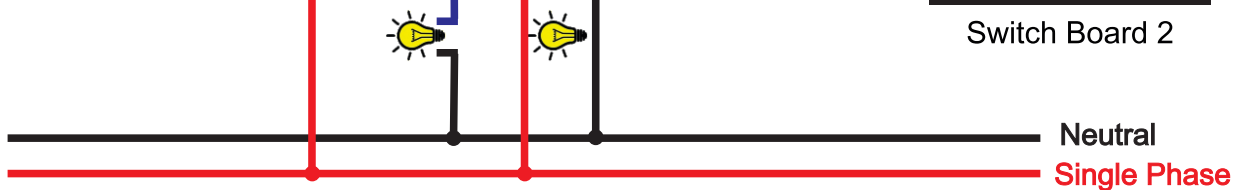
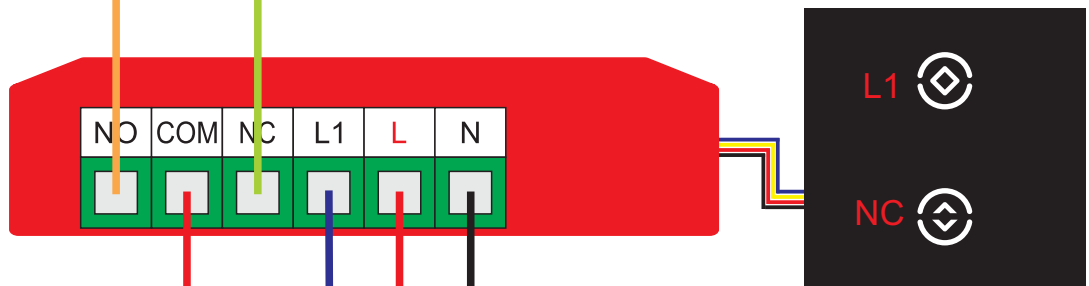
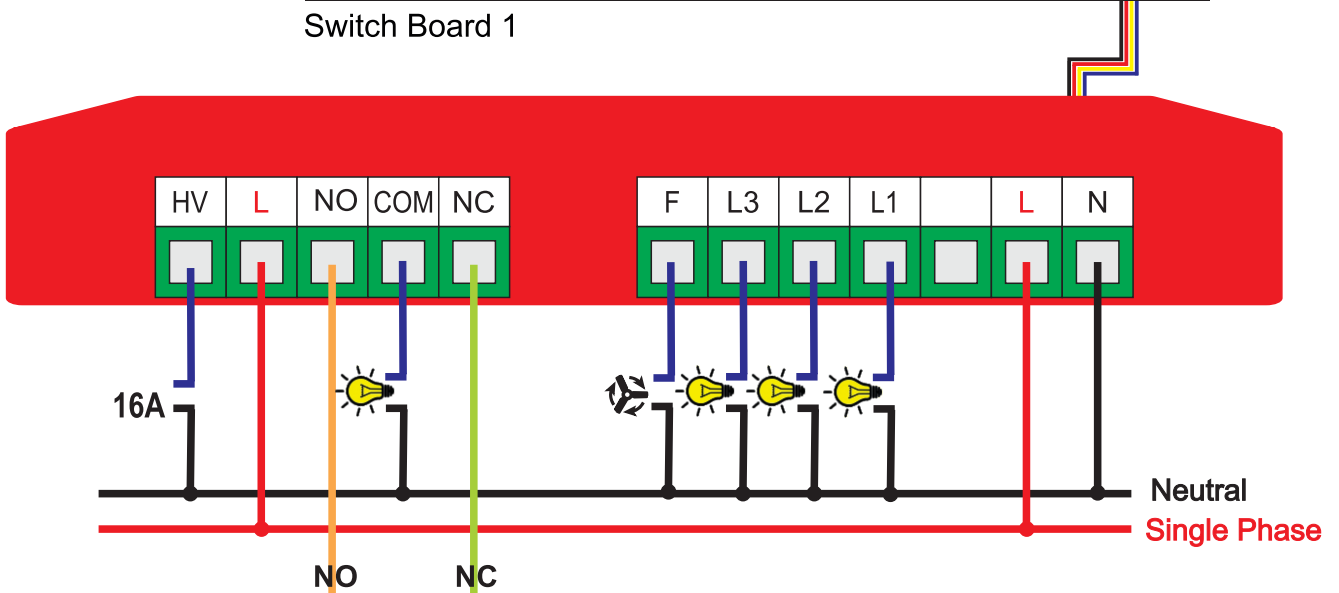
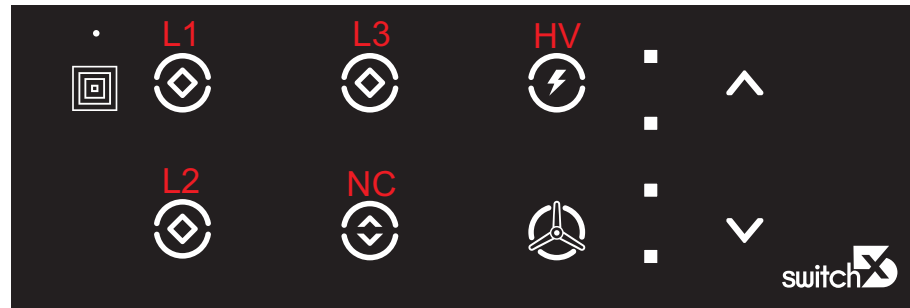
Touch 8switch(1 HV 1 2way)



L	Line(Phase)
N	Neutral
L1	Load 1
L2	Load 2
L3	Load 3
L4	Load 4

NC	Normally Close
COM	Common
NO	Normally Open
L	Line(Phase)
HV	16A Load

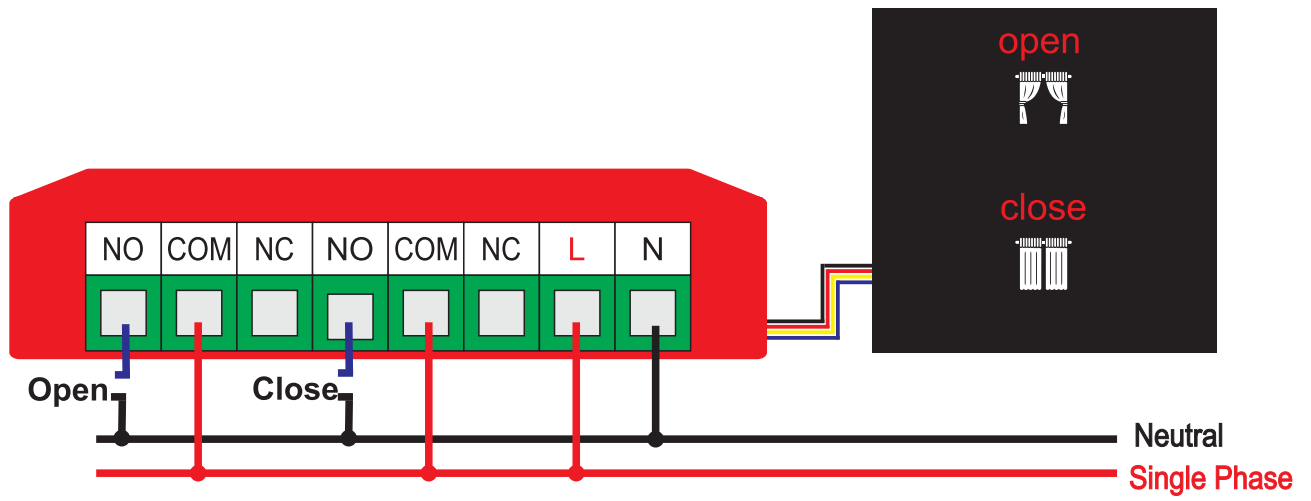
Touch 6Switch(1 HV 1 2way) + Fan



L	Line(Phase)
N	Neutral
L1	Load 1
L2	Load 2
L3	Load 3
F	Fan

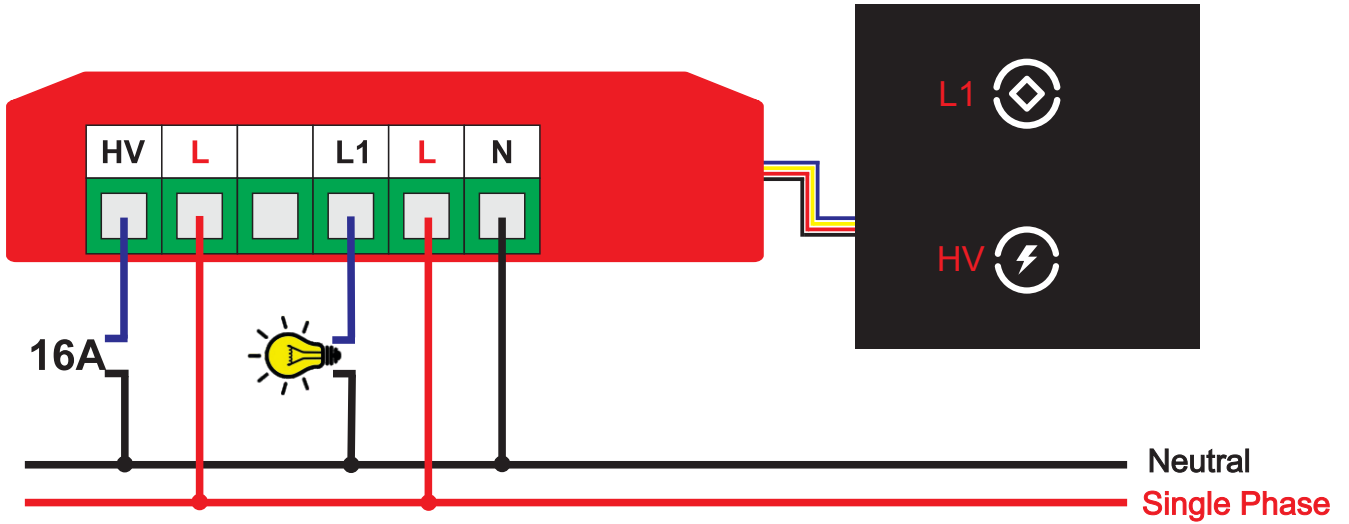
NC	Normally Close
COM	Common
NO	Normally Open
L	Line(Phase)
HV	16A Load

Curtain



L	Line(Phase)
N	Neutral
NC	Normally Close
COM	Common
NO	Normally Open

Touch 2 Switch(1 HV)



L	Line(Phase)
N	Neutral
L1	Load 1
L	Line(Phase)
HV	16A Load